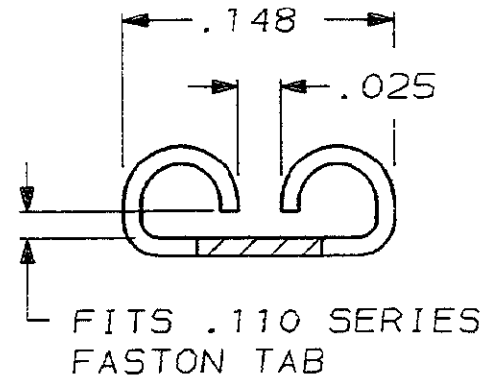
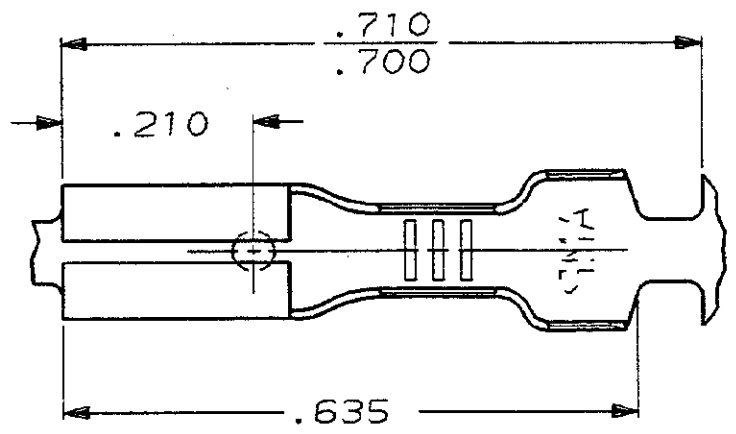


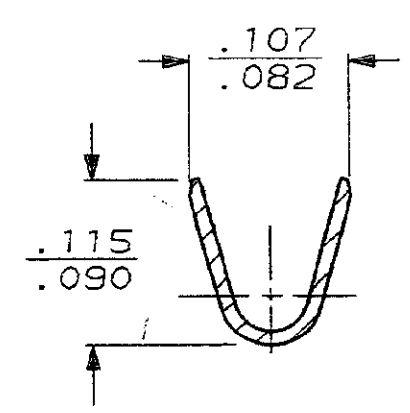
THIS DRAWING IS UNPUBLISHED. RELEASED FOR PUBLICATION
 © COPYRIGHT 19 BY AMP INCORPORATED, HARRISBURG, PA. ALL INTERNATIONAL RIGHTS RESERVED. AMP PRODUCTS MAY BE COVERED BY U.S. AND FOREIGN PATENTS AND/OR PATENTS PENDING.

| LOC | DIST | P | F | ZONE | LTR | DESCRIPTION | DATE | APPROVED |
|-----|------|---|---|------|-----|---------------------|---------|--------------------|
| AF | 50 | | | | | REDRA & REV AF-4655 | 6/23/87 | <i>[Signature]</i> |
| | | | | | | OBS-4 AF-3048 | 4/24/88 | <i>[Signature]</i> |

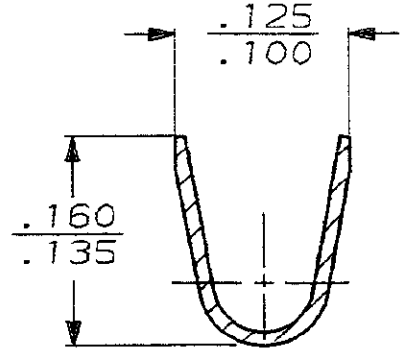


VIEW A-A

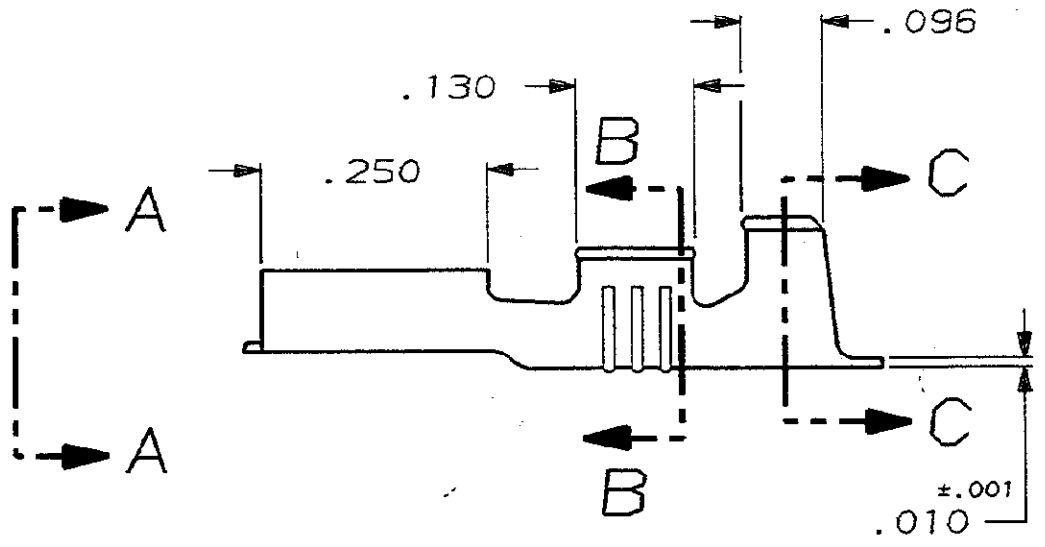
1 CONTINUOUS STRIP ON REELS.



SECTION B-B



SECTION C-C



| | | | | | | |
|----------|----------|--------------|-----------|---------------|---------|--------------------|
| OBSOLETE | SILVER | #4H BRASS | .060-.100 | 22-18 | .020 | 42068-6 |
| OBSOLETE | GOLD | #4H BRASS | .060-.100 | 22-18 | .020 | 42068-5 |
| OBSOLETE | TIN | #4H PHOS BRZ | .060-.100 | 22-18 | .020 | 42068-4 |
| OBSOLETE | --- | #4H PHOS BRZ | .060-.100 | 22-18 | .020 | 42068-3 |
| | PRE-TIN | #4H BRASS | .060-.100 | 22-18 | .020 | 42068-1 |
| | --- | #4H BRASS | .060-.100 | 22-18 | .020 | 42068-0 |
| FINISH | MATERIAL | INSUL RANGE | WIRE SIZE | TAB ±.001 THK | PART NO | |

| | | |
|--|------------------------------------|--|
| UNLESS OTHERWISE SPECIFIED DIMENSIONS ARE IN INCHES TOLERANCES ON: 2 PL DEC ± - 3 PL DEC ± .015 ANGLES ± - | DR <i>J.R.R.</i> 6/23/87 | AMP INCORPORATED Harrisburg, Pa. 17105 |
| | CHK <i>G. Yetter</i> 6/23/87 | |
| MATERIAL SEE TABLE | APPD <i>C. [Signature]</i> 6-23-87 | NAME RECEPTACLE, FASTON™ .110 SERIES |
| FINISH SEE TABLE | APPD <i>[Signature]</i> 6-23-87 | SIZE B FSCM NO 00779 DRAWING NO 42068 |
| | PRODUCT SPEC | SCALE NTS SHEET 1 OF 1 |
| | APPLICATION SPEC | |
| | WEIGHT | |